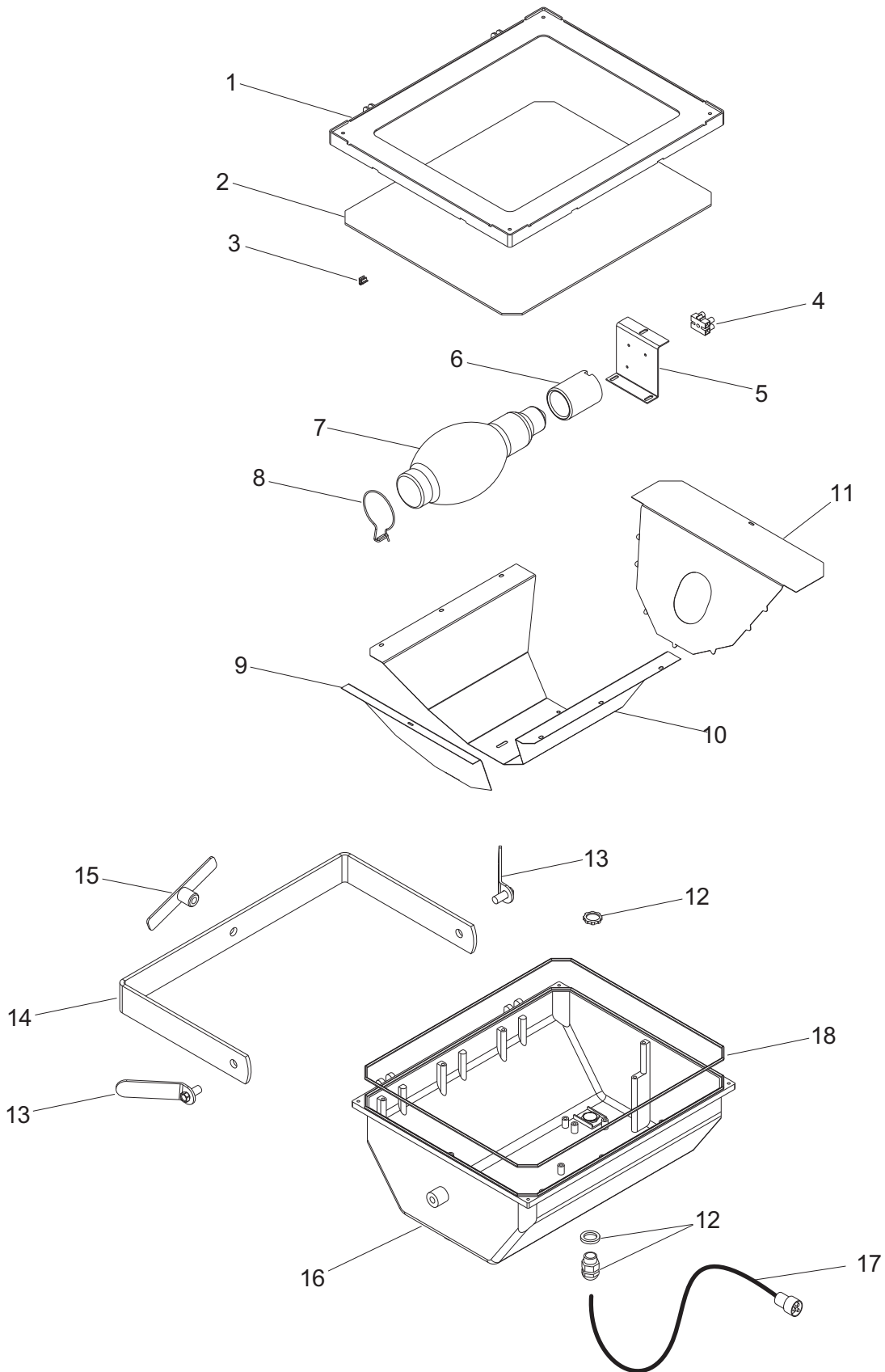


LIGHT ASSEMBLY



LIGHT ASSEMBLY

ITEM NO.	PART NO.	QTY	DESCRIPTION
1	11393	1	Cover, light
2	11303	1	Lens, rectangular light
3	11392	8	Clip, glass light
4	65458	1	Terminal block, 2 pos. light
5	11460	1	Bracket, light socket
6	11394	1	Socket, light
7	11391	1	Bulb, 1000W MH short
	11463	1	Bulb, 1000W HPS short (not shown)
8	11398	1	Support, bulb light
9	11424	1	Reflector, end light
10	11399	1	Reflector, wrap around - light
11	11423	1	Reflector, hole in end light
12	65457	1	Strain relief, light
13	11395	2	Bolt, wing - light
14	11397	1	Bracket, trunion light
15	11396	1	Nut, wing - light
16	11400	1	Housing, light
17	11458	1	Cable light - quick disconnect
	11457	1	Cable, light - hard wire
18	11456	1	Gasket, lens
19	65485	-	Kit, reflector 1000W (parts 9-11)
20	11401	-	Assy, light fixture - 1000W MH QD
21	11402	-	Assy, light fixture - 1000W MH HW